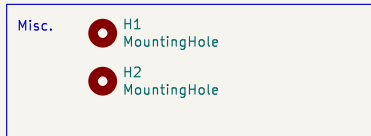
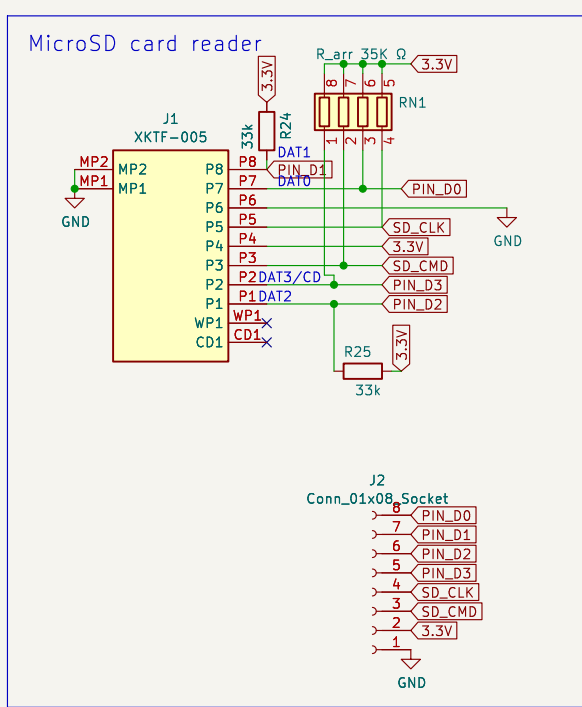
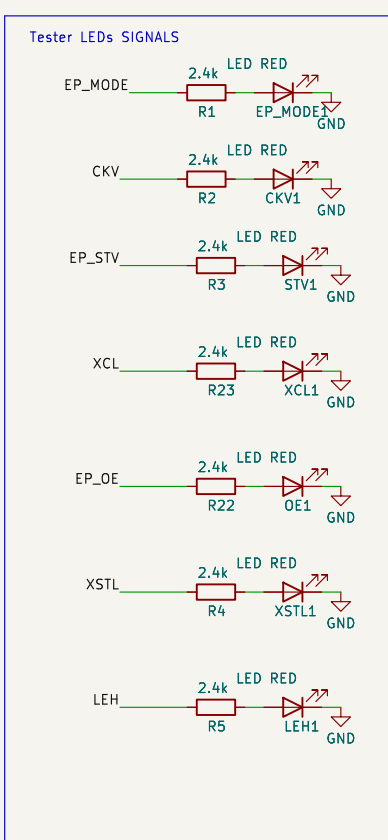
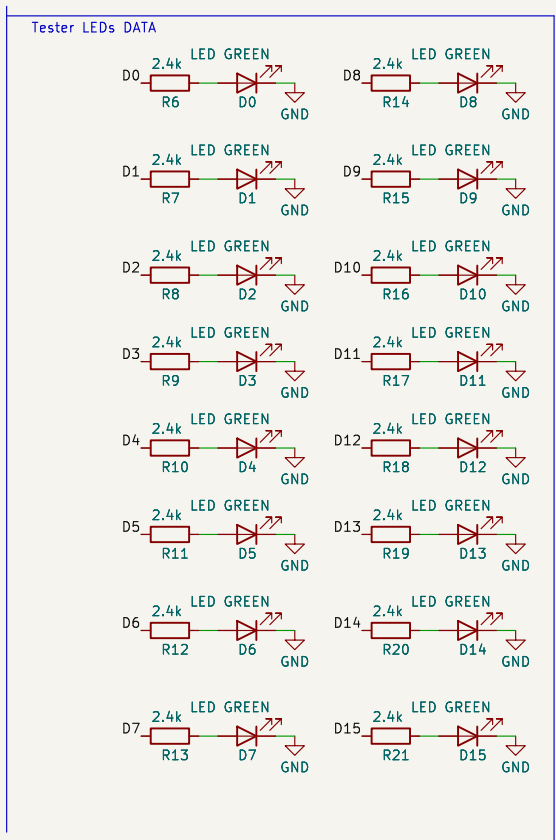
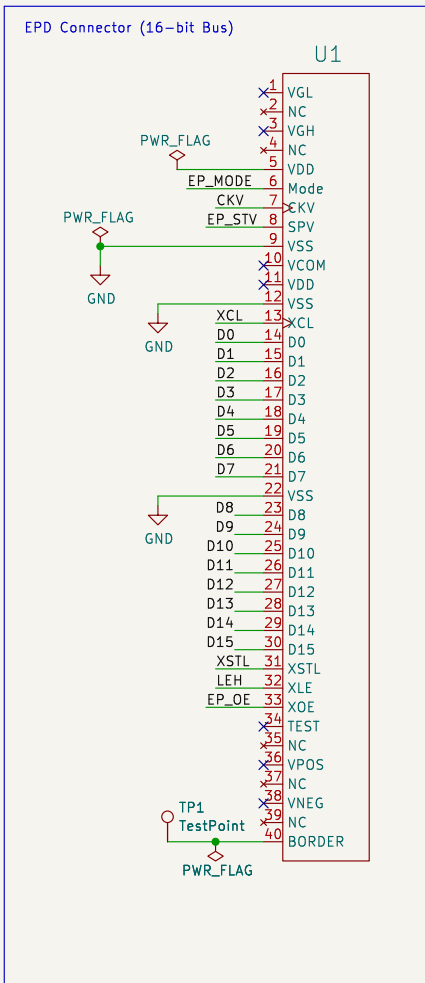


Connector 40 pins to RES->LED



FASANI CORP.		
Sheet: /		
File: 40_pins_PCB_tester.kicad_sch		
Title: 40 pins to 16 bit signals tester (16 data IO + LEH,etc)		
Size: A4	Date: 2023-10-21	Rev: 1.0
KiCad E.D.A. kicad-cli 7.0.11-7.0.11-ubuntu22.04.1		Id: 1/1